

## Type 1290 Direct Drive Process Pressure Gauge



### FEATURES

- *Inconel X-750 Sensing Element*
- *Simple Gearless Movement*
- *Selection of Measurement Units (psig and dual scale, kg/cm<sup>2</sup>/psi)*
- *Optional NIST Traceable Calibration Chart*

### APPLICATIONS

*Ideal for applications where shock and vibration are present*

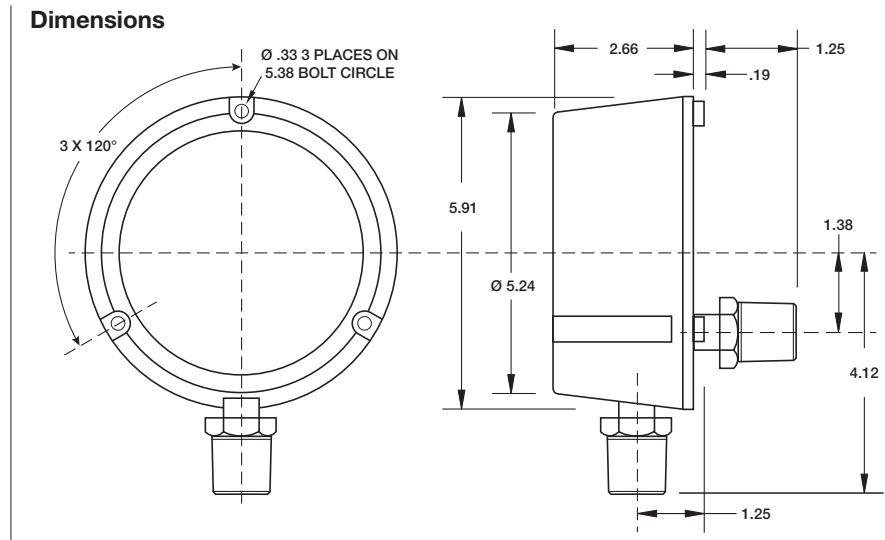
### PRODUCT SPECIFICATIONS

**Model Number:** 1290  
**Accuracy:** ½% full scale (Grade 2A, ASME B40.100)  
**Ranges:** 15psi to 2000psi  
**Dial Size:** 4½" diameter  
**Case Material:** ABS Thermoplastic  
**Window:** Acrylic  
**Dial:** White-coated SS  
**Pointer:** Aluminum  
**Sensing Element:** Inconel X-750  
**Bourdon Tube:** Inconel X-750, 304SS capillary  
**Socket Material:** 316L SS  
**Conn. Size:** ¼", ½" NPT  
**Conn. Location:** Lower or back

### OPTIONS

- **Calibration Chart** (C4)
- **Wired St. St. Tag** (NH)
- **Regular Glass** (RG)
- **Front Flange** (FF)  
(back connect only)

## Type 1290 Direct Drive Process Pressure Gauge



### Order Coding Example

45	1290	(WD)	02	L	C4	15#			
SIZE	TYPE	SENSING ELEMENT	CONN. SIZE	CONN. LOCATION)	OPTIONS (X VARIATIONS)	PRESSURE RANGES*			
						PSI	DUAL SCALE		
						(inner)	(outer)		
45 4½	1290 Direct Drive Gauge	(WD) Inconel X750, SS Socket	02 ¼ NPT	(L) Lower	(C4) Calibration Chart	15	KSC	PSI	
						30		2	0/30
			04 ¼ NPT	(B) Back	(NH) Wired, SS Tag	60	7	0/100	
						100	11	0/160	
					(RG) Regular Glass	150	14	0/200	
						160	21	0/300	
					(FF) Front Flange*	200	28	0/400	
						300	35	0/500	
						400	70	0/1000	
						500	105	0/1500	
						600	120	0/2000	
					*Back connection only	800			
						1000			
						1500			
						2000			